

CARTESIAN ROBOTS SERIES

PHM



INDEX

특장점 Features	196
주문형식 Order Information	198
PHM 사양 Specifications	200
개별 사양 Individual Specification	201

컴팩트한 디자인 Compact Design



일반 직교로봇 대비 30~40% 저상 설계, 제작하였습니다.

It is designed and manufactured 30%~40% lower height compared with general cartesian robot.

고강성 High Rigidity

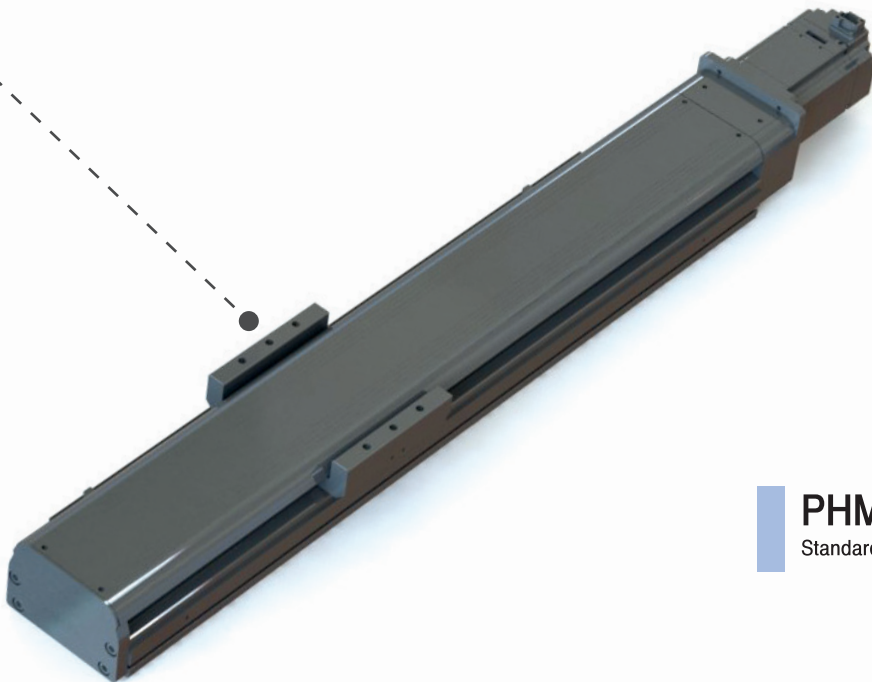
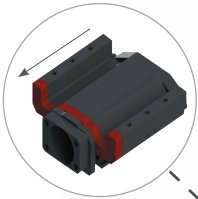
일반 LM Guide 사용 대비 넓은 간격에 의해 높은 모멘트를 허용합니다.

슬라이더 블록의 길이를 연장하여 타사 대비

(LM Guide 일체형 Unit) 정격하중 & 2차 모멘트를 보완하였습니다.

Allows high moments by wide spacing compared to normal LM Guide use.

According to extended length of the slide block, rated load & secondary moment are improved as compared with competitors (LM Guide integrated type Unit).



PHMS Series

Standard Robot Ball Screw Type

Weight Lightening

경량화

동종 LM Guide 일체형 대비 BASE의 Aluminum 제작으로 경량화를 실현하였습니다.

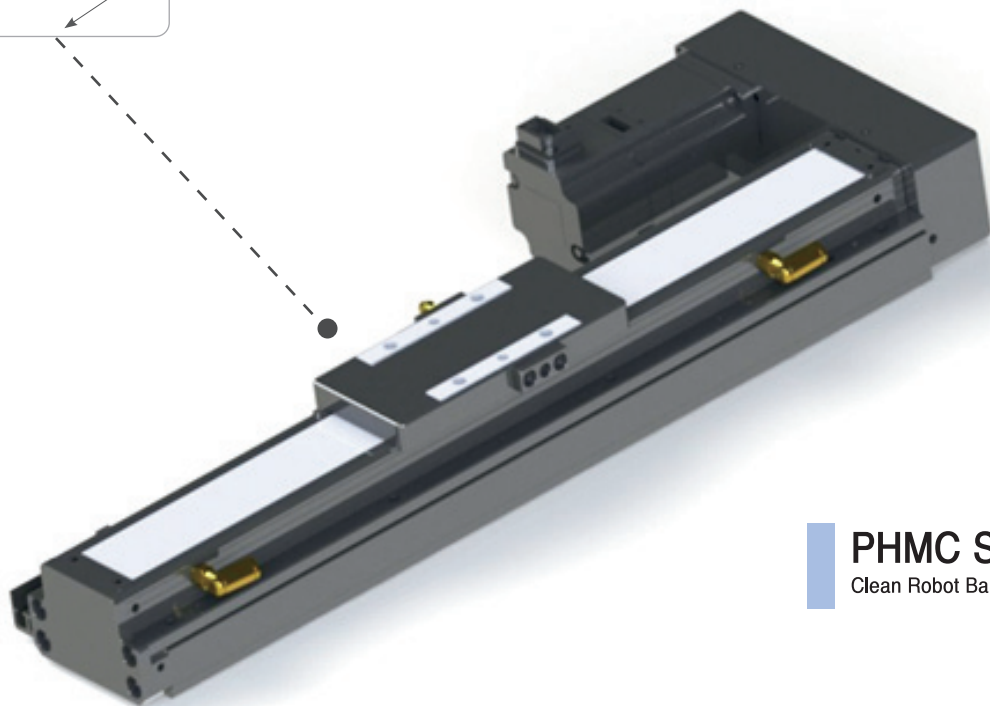
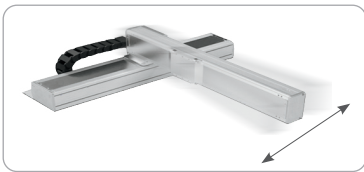
BASE is made by Aluminum, and it is manufactured lighter than other integrated LM Guide type.

Slider Integration SLIDER의 일체화

빈번한 반복 구동에 의한 강성 및 반복 정밀도의 취약점을 BALL SCREW UNIT과 리니어 슬라이더 블록을 일체화하여 개선하였습니다.
The weakness of stiffness and repetition precision caused by frequent repetitive driving is improved by integrating ball screw and linear slider block.

축선단 진동 개선 Improvement of Shaft Vibration

고속주행 후 정지 시 축선단 진동을 개선하였습니다.
타사 LM Guide 일체형 Unit 대비 Setting Time (관성모멘트)을 개선하였습니다.
Improved shaft vibration when stopping at high speed. Improved setting time compared to other integrated LM Guide unit.



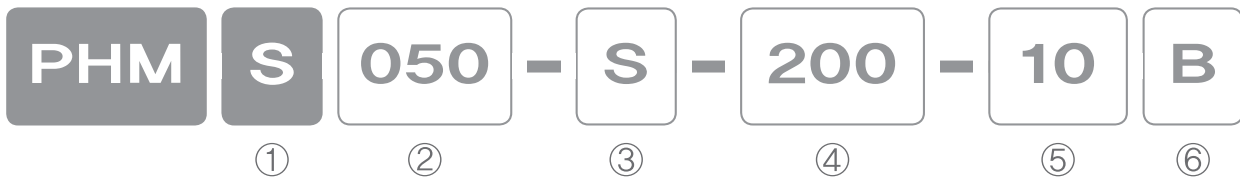
PHMC Series
Clean Robot Ball Screw Type

Easy Lubrication Conditions 손쉬운 급유 조건

이동 SLIDER에 NIPPLE 장착으로 손쉽게 급유 가능합니다.
It is easy to lubricate by attaching a nipple to the moving slider

PHM Series

주문형식 Order Information



① 타입 Type

S Standard

C Clean

※본체사이즈 050, 060, 090에만 대응 가능합니다.
Only for 050, 060, 090 body size.

② 본체 사이즈 Body Size

030 30mm

040 40mm

050 50mm

060 60mm

090 90mm

120 120mm

③ 형상 Shape

S Motor 직렬 (Straight)

L Motor 병렬 (Parallel Left)

R Motor 병렬 (Parallel Right)

※형상 L, R의 경우 본체사이즈 030은 선택할 수 없습니다.
For L, R shape, body size 030 is not available.

④ 이송거리 Stroke, In increment of 50mm

Base	Ball Screw	200	400	600	800	1000
PHM□030	∅06x01(C7)	Yes	No	No	No	No
	∅06x02(C7)	Yes	No	No	No	No
PHM□040	∅08x02(C7)	Yes	Yes	No	No	No
	∅08x05(C7)	Yes	Yes	No	No	No
PHM□050	∅12x05(C7)	Yes	Yes	Yes	No	No
	∅12x10(C7)	Yes	Yes	Yes	No	No
PHM□060	∅12x05(C7)	Yes	Yes	Yes	Yes	No
	∅12x10(C7)	Yes	Yes	Yes	Yes	No
PHM□090	∅15x10(C7)	Yes	Yes	Yes	Yes	Yes
	∅15x20(C7)	Yes	Yes	Yes	Yes	Yes
PHM□120	∅15x10(C7)	Yes	Yes	Yes	Yes	Yes
	∅15x20(C7)	Yes	Yes	Yes	Yes	Yes

⑤ 모터용량 Motor capacity

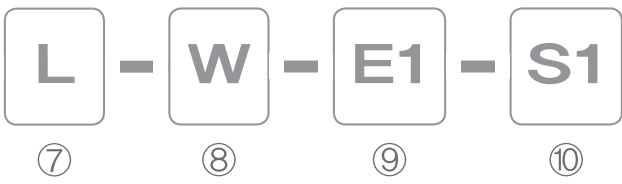
5 50W

10 100W

20 200W

40 400W

75 750W



⑥ 브레이크 부착 Motor Brake

None Without Brake B With Brake

⑦ 속도 Speed

기 호 \ Size	PHM 030	PHM 040	PHM 050	PHM 060	PHM 090	PHM 120
L	15mm/s	30mm/s	250mm/s	250mm/s	500mm/s	500mm/s
N	30mm/s	80mm/s	500mm/s	500mm/s	1000mm/s	1000mm/s

※1. 볼나사의 회전수가 높아지면 축의 고유 진동수에 의한 공진 발생과 볼나사 축의 회전 원심력에 의한 내부 볼 순환 이상 및 리턴부 손상 발생으로 위험속도를 계산하여 이송거리에 따른 최고속도를 정합니다.
 If the ball screw speed is raised, the rotary generates a resonance and the circular rotation of the inner ball can cause damage to the inner ball. Therefore, calculate the risk velocity and determine the maximum speed according to the transfer distance.

⑧ 로봇 색상 Robot Color Option

None Black (Standard) W White (Option)

⑨ 센서 Sensor ※ 기본(Standard): 3EA

None No Sensor E1 PANASONIC (PM-L25)
 E2 OMRON (EE-SX674A)

⑩ 표면처리 Surface Treatment

S1 Screw Shaft-Raydent S2 Screw Shaft+Nut-Raydent

PHRS

PHRB

PHRC

PHRT

PHM Cartesian Robot Ball Screw Type

PSR

PLR

PSB/PHB

Gearbox

SBAC

PHM Series

사양 Specifications

Base	Model	Stroke [mm]	Max Speed [mm/s]	Ball Screw	AC Servo Motor [W]
PHMS030	PHMS030-S-L	50-150	15	∅ 06x01(C7)	50~100W
	PHMS030-S-N	50-150	30	∅ 06x02(C7)	50~100W
PHMS040	PHMS040-S/L/R-L	50-250	30	∅ 08x02(C7)	50~100W
	PHMS040-S/L/R-N	50-250	80	∅ 08x05(C7)	50~100W
PHM□050	PHM□050-S/L/R-L	100-500	250	∅ 12x05(C7)	100W
	PHM□050-S/L/R-N	100-500	500	∅ 12x10(C7)	100W
PHM□060	PHM□060-S/L/R-L	100-700	250	∅ 12x05(C7)	100~200W
	PHM□060-S/L/R-N	100-700	500	∅ 12x10(C7)	100~200W
PHM□090	PHM□090-S/L/R-L	100-1000	500	∅ 15x10(C7)	200~400W
	PHM□090-S/L/R-N	100-1000	1000	∅ 15x20(C7)	200~400W
PHMS120	PHMS120-S/L/R-L	100-1000	500	∅ 15x10(C7)	400~750W
	PHMS120-S/L/R-N	100-1000	1000	∅ 15x20(C7)	400~750W

※ Clean type은 본체사이즈 050, 060, 090에만 대응 가능합니다.
Clean type is Only for 050, 060, 090 body size.

특징 Features

Body Size	30mm
Repeatability [mm]	±0.02
Ball Screw Lead	Ball Screw Lead 1mm, 2mm Standard
Ball Screw	Ground C7 Ball Screw
Robot Color	Black Anodizing
Mounting Method	Counterbore type Standard
Grease Nipple	Standard
Sensor	External Photo Sensor (Standard)
Surface Treatment	Ball Screw – Raydent (Option)



기본사양 Basic Specification

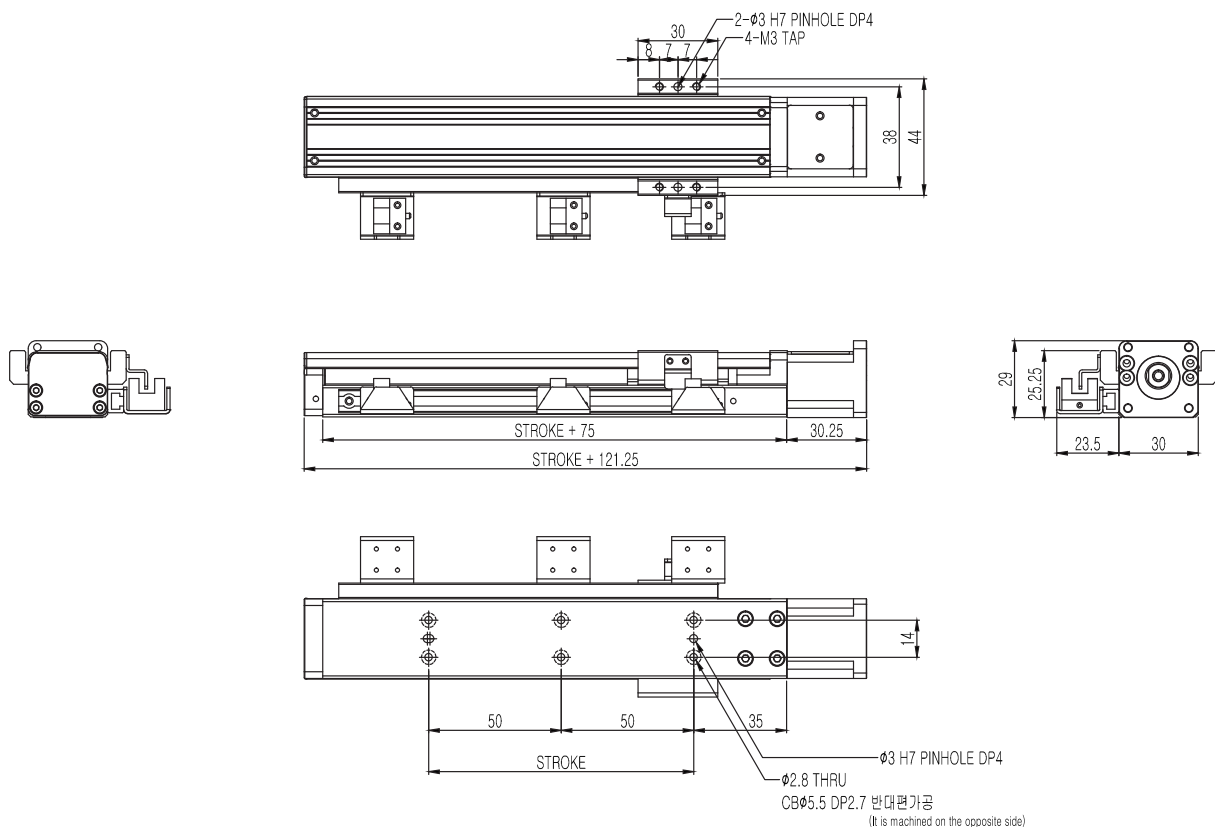
Base	Model	Stroke [mm]	Max Speed [mm/s]	Payload [kg]	Ball Screw	AC Servo Motor [W]
PHMS030	PHMS030-S-L	50 ~ 150	15	5	ø6x01 (C7)	50W~100W
	PHMS030-S-N	50 ~ 150	30	3	ø6x02 (C7)	50W~100W

스트로크별 최대속도 Max Speed

Stroke [mm]		50	100	150
Max Speed [mm/s]	PHMS030-S-L	15	15	15
	PHMS030-S-N	30	30	30

※ 제품의 치수, 사용조건 및 사양등은 변경될 수 있습니다.
Dimension of the product, operating conditions and specifications can be changed.

치수도 Dimension [mm]



PHRS

PHRB

PHRC

PHRT

PHM Cartesian Robot Ball Screw Type

PSR

PLR

PSB/PHB

Gearbox

SBAC

PHMS040-S-L(N)

특징 Features

Body Size	40mm
Repeatability [mm]	±0.02
Ball Screw Lead	Ball Screw Lead 2mm, 5mm Standard
Ball Screw	Ground C7 Ball Screw
Robot Color	Black Anodizing
Mounting Method	Counterbore type Standard
Grease Nipple	Standard
Sensor	External Photo Sensor (Standard)
Surface Treatment	Ball Screw – Raydent (Option)



기본사양 Basic Specification

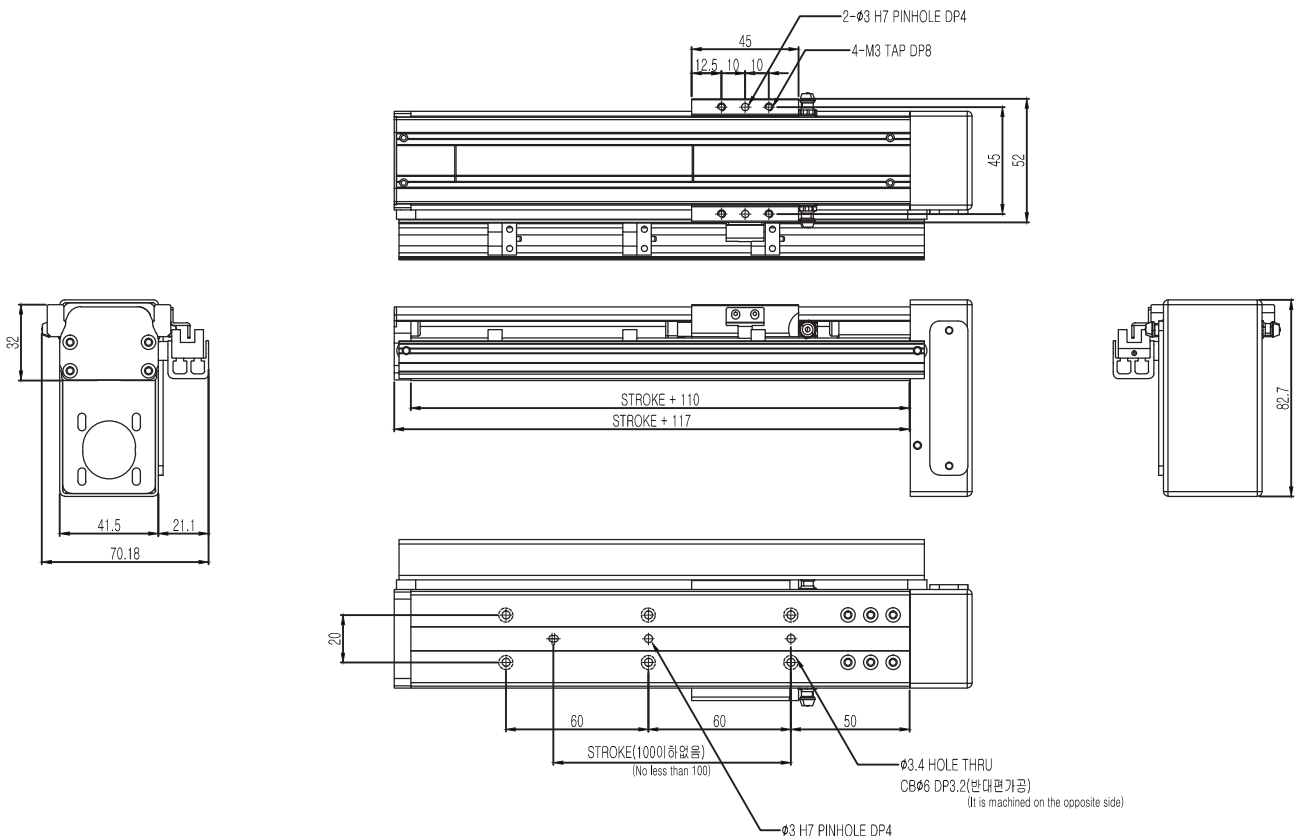
Base	Model	Stroke [mm]	Max Speed [mm/s]	Payload [kg]	Ball Screw	AC Servo Motor [W]
PHMS040	PHMS040-S-L	50 ~ 250	30	8	ø8x02 (C7)	50W~100W
	PHMS040-S-N	50 ~ 250	80	5	ø8x05 (C7)	50W~100W

스트로크별 최대속도 Max Speed

Stroke [mm]		50	100	150	200	250
Max Speed [mm/s]	PHMS040-S-L	30	30	30	30	30
	PHMS040-S-N	80	80	80	80	80

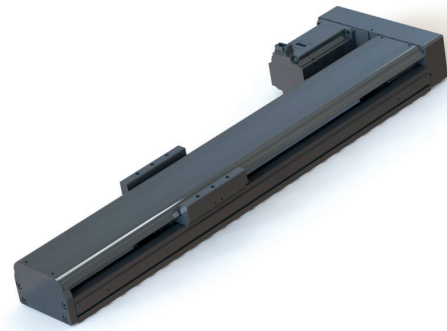
※ 제품의 치수, 사용조건 및 사양등은 변경될 수 있습니다.
Dimension of the product, operating conditions and specifications can be changed.

치수도 Dimension [mm]



특징 Features

Body Size	40mm
Repeatability [mm]	±0.02
Ball Screw Lead	Ball Screw Lead 2mm, 5mm Standard
Ball Screw	Ground C7 Ball Screw
Robot Color	Black Anodizing
Mounting Method	Counterbore type Standard
Grease Nipple	Standard
Sensor	External Photo Sensor (Standard)
Surface Treatment	Ball Screw – Raydent (Option)



기본사양 Basic Specification

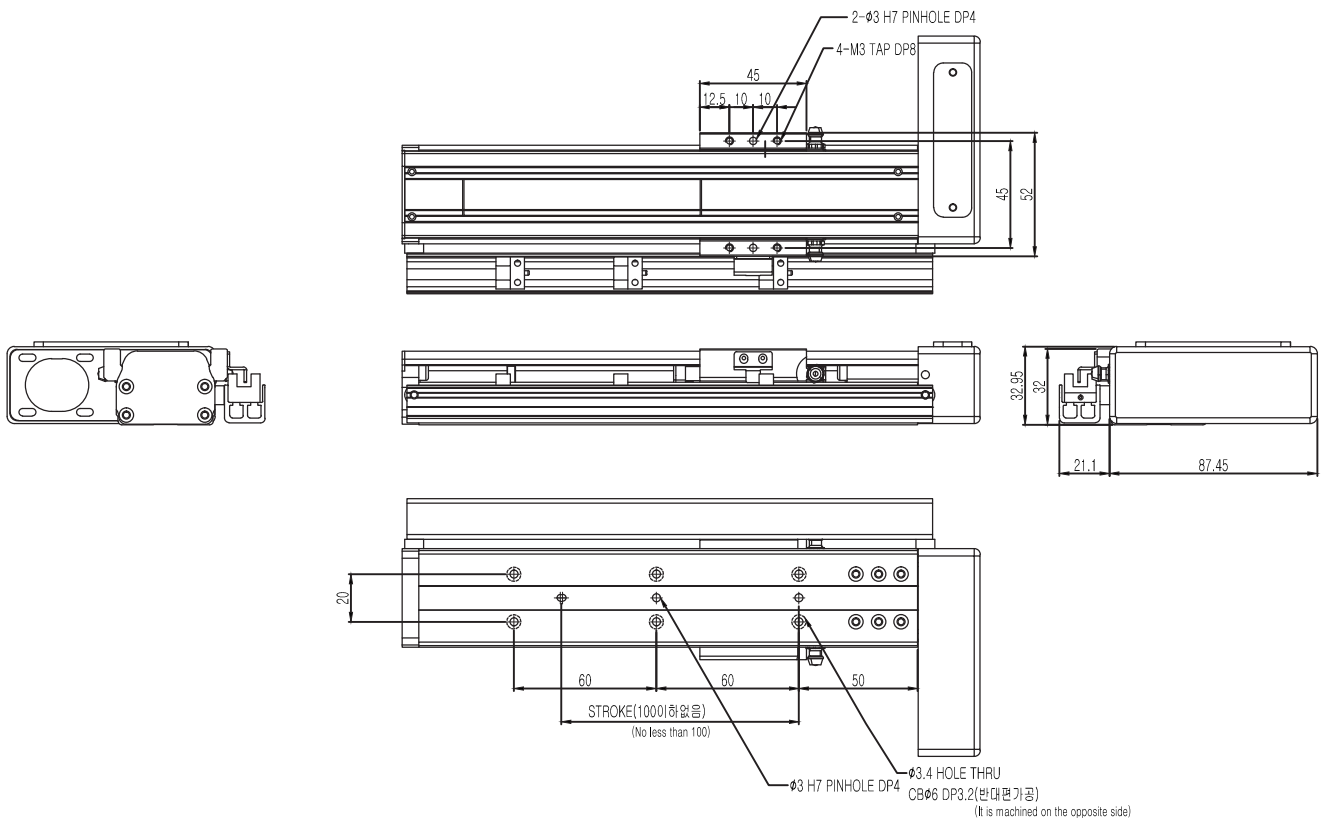
Base	Model	Stroke [mm]	Max Speed [mm/s]	Payload [kg]	Ball Screw	AC Servo Motor [W]
PHMS040	PHMS040-R(L)-L	50 ~ 250	30	8	ø8x02 (C7)	50W~100W
	PHMS040-R(L)-N	50 ~ 250	80	5	ø8x05 (C7)	50W~100W

스트로크별 최대속도 Max Speed

Stroke [mm]		50	100	150	200	250
Max Speed [mm/s]	PHMS040-R(L)-L	30	30	30	30	30
	PHMS040-R(L)-N	80	80	80	80	80

※ 제품의 치수, 사용조건 및 사양등은 변경될 수 있습니다.
Dimension of the product, operating conditions and specifications can be changed.

치수도 Dimension [mm]



PHRS

PHRB

PHRC

PHRT

PHM Cartesian Robot Ball Screw Type

PSR

PLR

PSB/PHB

Gearbox

SBAC

PHMS050-S-L(N)

특징 Features

Body Size	50mm
Repeatability [mm]	±0.02
Ball Screw Lead	Ball Screw Lead 5mm, 10mm Standard
Ball Screw	Ground C7 Ball Screw
Robot Color	Black Anodizing
Mounting Method	Counterbore type Standard
Grease Nipple	Standard
Sensor	External Photo Sensor (Standard)
Surface Treatment	Ball Screw – Raydent (Option)



기본사양 Basic Specification

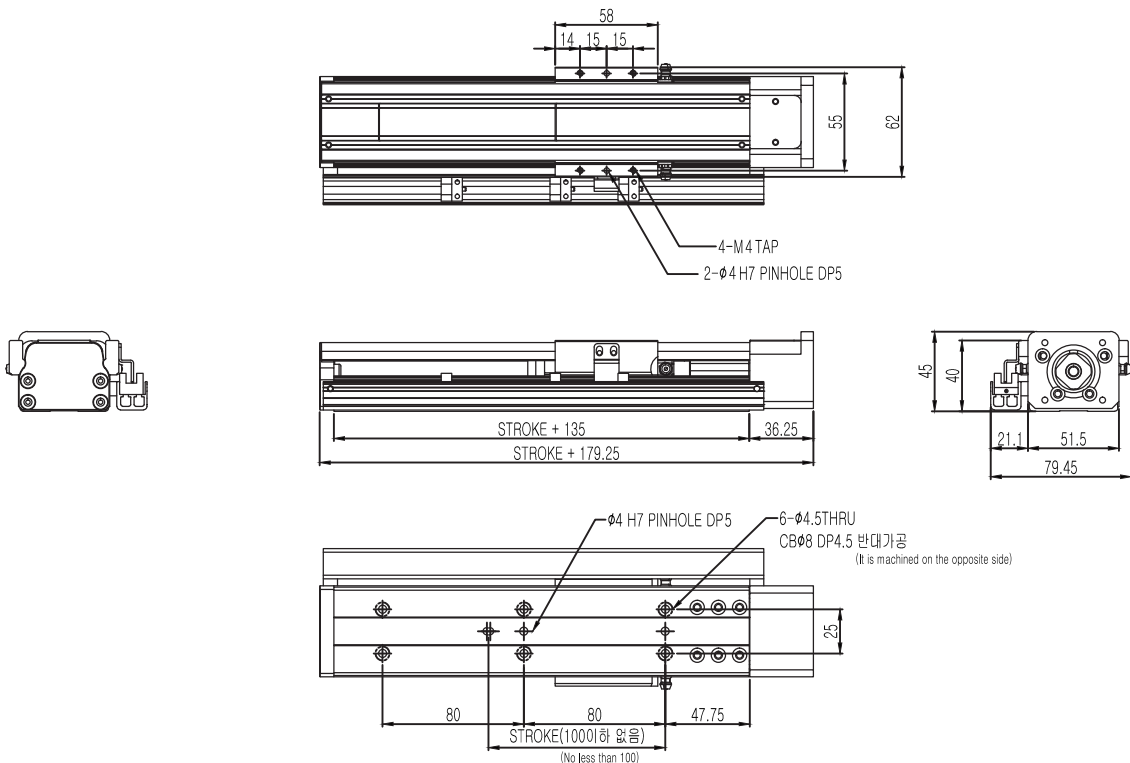
Base	Model	Stroke [mm]	Max Speed [mm/s]	Payload [kg]	Ball Screw	AC Servo Motor [W]
PHMS050	PHMS050-S-L	100 ~ 500	250	13 / 8kg(Vertical)	ø12x05 (C7)	100W
	PHMS050-S-N	100 ~ 500	500	10 / 5kg(Vertical)	ø12x10 (C7)	100W

스트로크별 최대속도 및 무게 Max Speed & Weight by Stroke

Stroke [mm]		100	200	300	400	500
Max Speed [mm/s]	PHMS050-S-L	250	250	250	250	250
	PHMS050-S-N	500	500	500	500	500
Weight [kgf] Without Motor		1.5	1.8	2.1	2.4	2.7

※ 제품의 치수, 사용조건 및 사양등은 변경될 수 있습니다.
Dimension of the product, operating conditions and specifications can be changed.

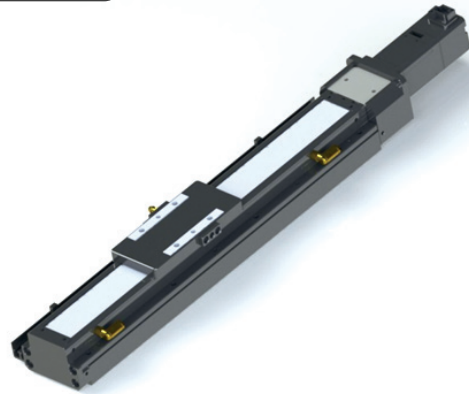
치수도 Dimension [mm]



특징 Features

Body Size	50mm
Repeatability [mm]	±0.02
Ball Screw Lead	Ball Screw Lead 5mm, 10mm Standard
Ball Screw	Ground C7 Ball Screw
Robot Color	Black Anodizing
Mounting Method	Counterbore type Standard
Grease Nipple	Standard
Sensor	External Photo Sensor (Standard)
Surface Treatment	Ball Screw – Raydent (Option)

Clean Type



기본사양 Basic Specification

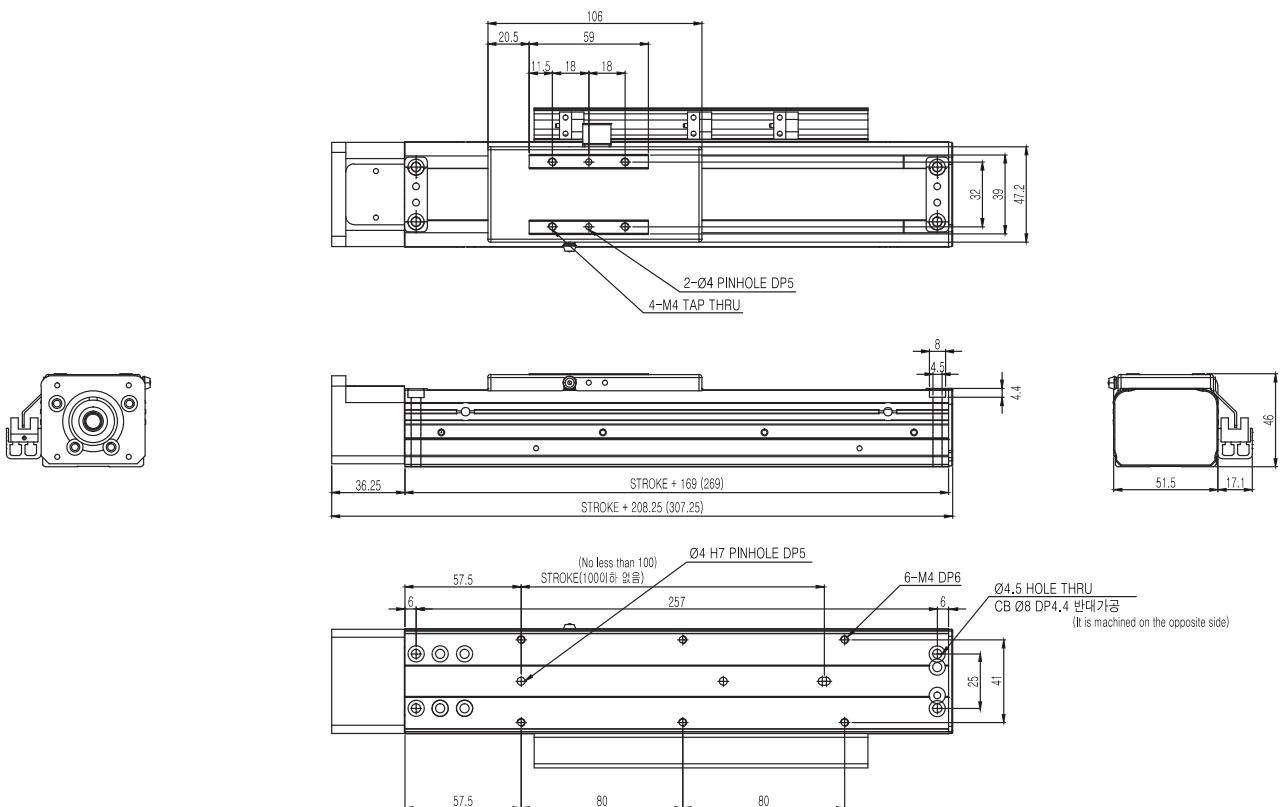
Base	Model	Stroke [mm]	Max Speed [mm/s]	Payload [kg]	Ball Screw	AC Servo Motor [W]
PHMC050	PHMC050-S-L	100 ~ 500	250	13 / 8kg(Vertical)	ø12x05 (C7)	100W
	PHMC050-S-N	100 ~ 500	500	10 / 5kg(Vertical)	ø12x10 (C7)	100W

스트로크별 최대속도 및 무게 Max Speed & Weight by Stroke

Stroke [mm]		100	200	300	400	500
Max Speed [mm/s]	PHMC050-S-L	250	250	250	250	250
	PHMC050-S-N	500	500	500	500	500
Weight [kgf] Without Motor		1.5	1.8	2.1	2.4	2.7

* 제품의 치수, 사용조건 및 사양등은 변경될 수 있습니다.
Dimension of the product, operating conditions and specifications can be changed.

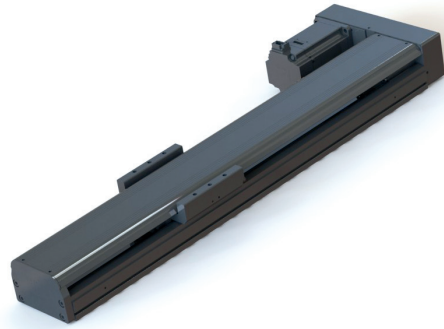
치수도 Dimension [mm]



PHMS050-R(L)-L(N)

특징 Features

Body Size	50mm
Repeatability [mm]	±0.02
Ball Screw Lead	Ball Screw Lead 5mm, 10mm Standard
Ball Screw	Ground C7 Ball Screw
Robot Color	Black Anodizing
Mounting Method	Counterbore type Standard
Grease Nipple	Standard
Sensor	External Photo Sensor (Standard)
Surface Treatment	Ball Screw – Raydent (Option)



기본사양 Basic Specification

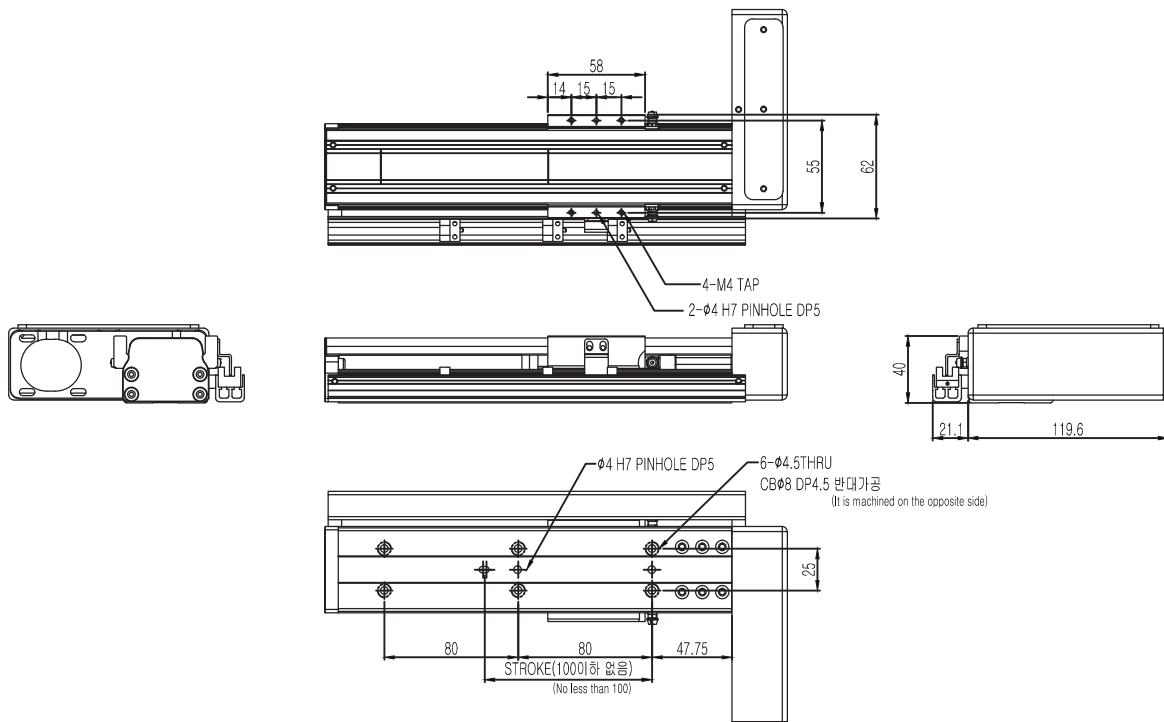
Base	Model	Stroke [mm]	Max Speed [mm/s]	Payload [kg]	Ball Screw	AC Servo Motor [W]
PHMS050	PHMS050-R(L)-L	100 ~ 500	250	13 / 8kg(Vertical)	ø12x05 (C7)	100W
	PHMS050-R(L)-N	100 ~ 500	500	10 / 5kg(Vertical)	ø12x10 (C7)	100W

스트로크별 최대속도 및 무게 Max Speed & Weight by Stroke

Stroke [mm]		100	200	300	400	500
Max Speed [mm/s]	PHMS050-R(L)-L	250	250	250	250	250
	PHMS050-R(L)-N	500	500	500	500	500
Weight [kgf] Without Motor		1,5	1,8	2,1	2,4	2,7

※ 제품의 치수, 사용조건 및 사양등은 변경될 수 있습니다.
Dimension of the product, operating conditions and specifications can be changed.

치수도 Dimension [mm]



특징 Features

Body Size	50mm
Repeatability [mm]	±0.02
Ball Screw Lead	Ball Screw Lead 5mm, 10mm Standard
Ball Screw	Ground C7 Ball Screw
Robot Color	Black Anodizing
Mounting Method	Counterbore type Standard
Grease Nipple	Standard
Sensor	External Photo Sensor (Standard)
Surface Treatment	Ball Screw - Raydent (Option)

Clean Type



기본사양 Basic Specification

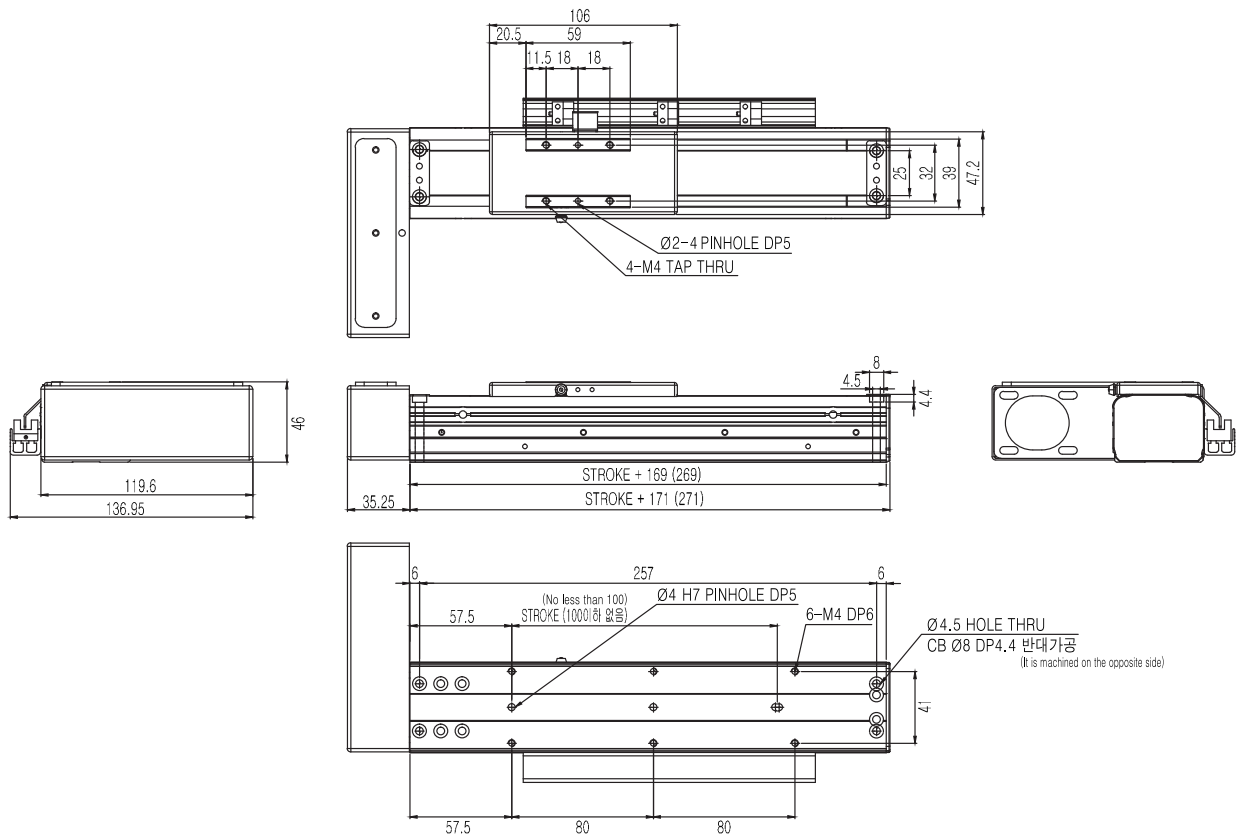
Base	Model	Stroke [mm]	Max Speed [mm/s]	Payload [kg]	Ball Screw	AC Servo Motor [W]
PHMC050	PHMC050-R(L)-L	100 ~ 500	250	13 / 8kg(Vertical)	ø12x05 (C7)	100W
	PHMC050-R(L)-N	100 ~ 500	500	10 / 5kg(Vertical)	ø12x10 (C7)	100W

스트로크별 최대속도 및 무게 Max Speed & Weight by Stroke

Stroke [mm]		100	200	300	400	500
Max Speed [mm/s]	PHMC050-R(L)-L	250	250	250	250	250
	PHMC050-R(L)-N	500	500	500	500	500
Weight [kgf] Without Motor		1,5	1,8	2,1	2,4	2,7

※ 제품의 치수, 사용조건 및 사양등은 변경될 수 있습니다.
Dimension of the product, operating conditions and specifications can be changed.

치수도 Dimension [mm]



PHMS060-S-L(N)

특징 Features

Body Size	60mm
Repeatability [mm]	±0.02
Ball Screw Lead	Ball Screw Lead 5mm, 10mm Standard
Ball Screw	Ground C7 Ball Screw
Robot Color	Black Anodizing
Mounting Method	Counterbore type Standard
Grease Nipple	Standard
Sensor	External Photo Sensor (Standard)
Surface Treatment	Ball Screw – Raydent (Option)



기본사양 Basic Specification

Base	Model	Stroke [mm]	Max Speed [mm/s]	Payload [kg]	Ball Screw	AC Servo Motor [W]
PHMS060	PHMS060-S-L	100 ~ 700	250	20 / 10kg(Vertical)	ø12x05 (C7)	100~200W
	PHMS060-S-N	100 ~ 700	500	13 / 8kg(Vertical)	ø12x10 (C7)	100~200W

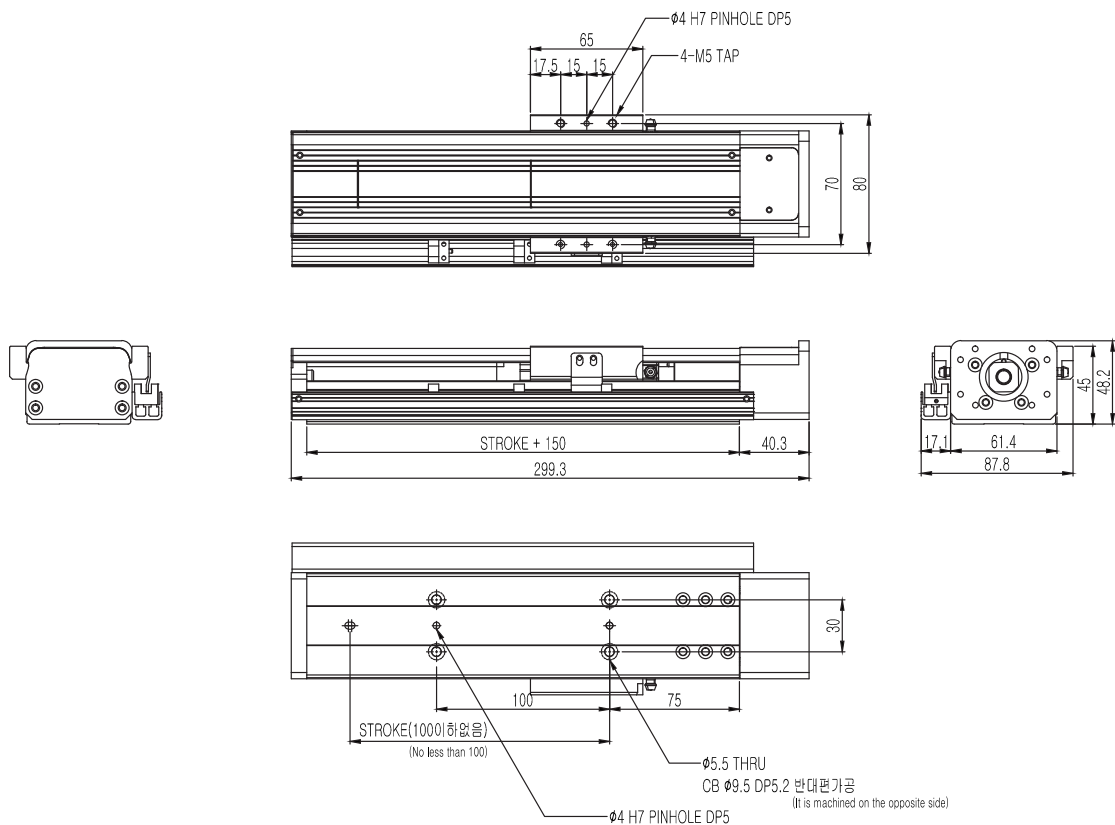
스트로크별 최대속도 및 무게 Max Speed & Weight by Stroke

Stroke [mm]		100	200	300	400	500	600	700
Max Speed [mm/s]	PHMS060-S-L	250	250	250	250	250	250	190
	PHMS060-S-N	500	500	500	500	500	500	390
Weight [kgf] Without Motor		1,50	1,85	2,20	2,55	2,90	3,25	3,60

※ 제품의 치수, 사용조건 및 사양등은 변경될 수 있습니다.

Dimension of the product, operating conditions and specifications can be changed.

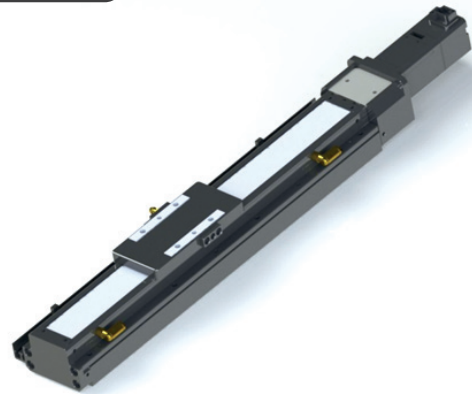
치수도 Dimension [mm]



특징 Features

Body Size	60mm
Repeatability [mm]	±0,02
Ball Screw Lead	Ball Screw Lead 5mm, 10mm Standard
Ball Screw	Ground C7 Ball Screw
Robot Color	Black Anodizing
Mounting Method	Counterbore type Standard
Grease Nipple	Standard
Sensor	External Photo Sensor (Standard)
Surface Treatment	Ball Screw – Raydent (Option)

Clean Type



기본사양 Basic Specification

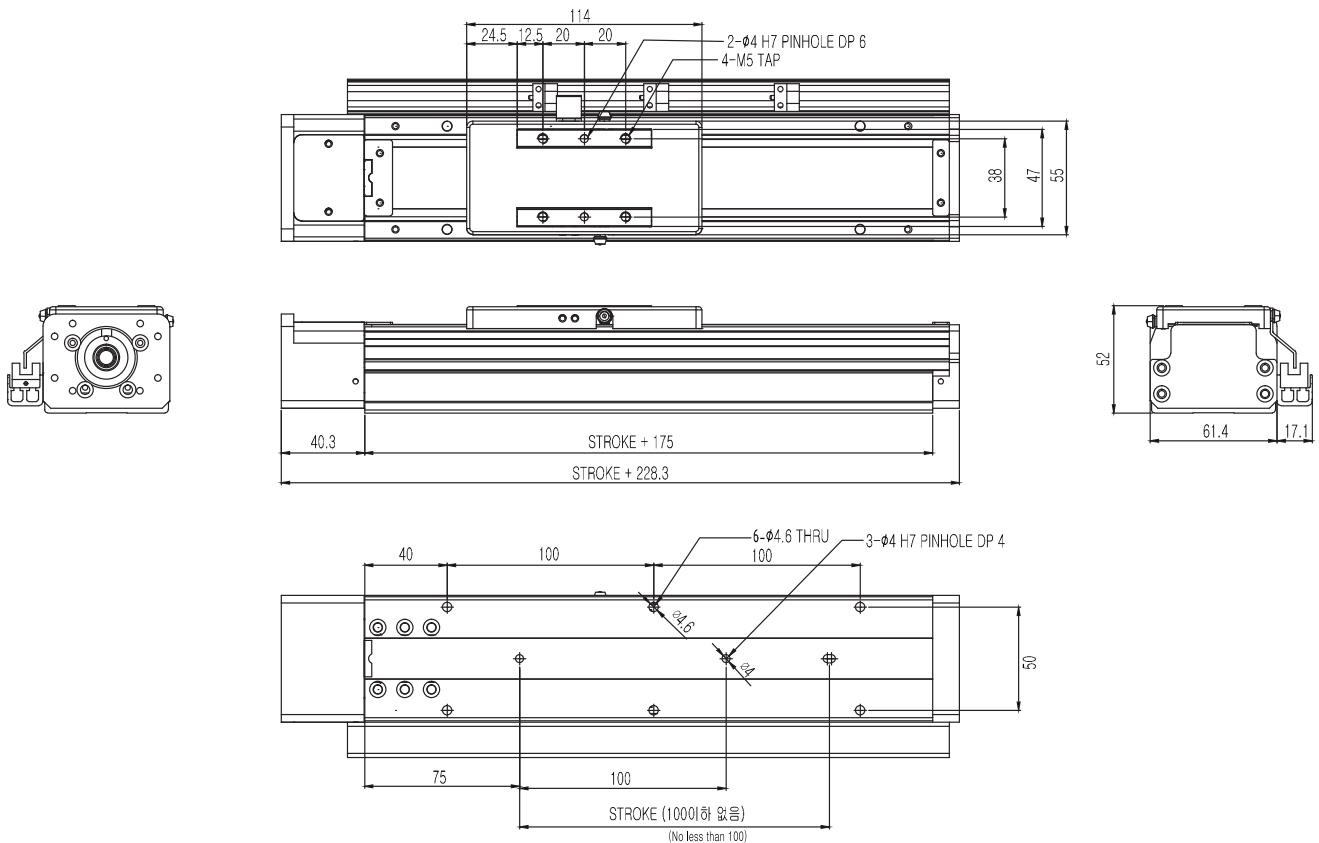
Base	Model	Stroke [mm]	Max Speed [mm/s]	Payload [kg]	Ball Screw	AC Servo Motor [W]
PHMC060	PHMC060-S-L	100 ~ 700	250	20 / 10kg(Vertical)	ø12x05 (C7)	100~200W
	PHMC060-S-N	100 ~ 700	500	13 / 8kg(Vertical)	ø12x10 (C7)	100~200W

스트로크별 최대속도 및 무게 Max Speed & Weight by Stroke

Stroke [mm]		100	200	300	400	500	600	700
Max Speed [mm/s]	PHMC060-S-L	250	250	250	250	250	250	190
	PHMC060-S-N	500	500	500	500	500	500	390
Weight [kgf] Without Motor		1,50	1,85	2,20	2,55	2,90	3,25	3,60

※ 제품의 치수, 사용조건 및 사양등은 변경될 수 있습니다.
Dimension of the product, operating conditions and specifications can be changed.

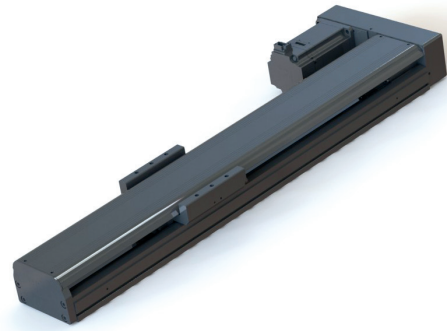
치수도 Dimension [mm]



PHMS060-R(L)-L(N)

특징 Features

Body Size	60mm
Repeatability [mm]	±0.02
Ball Screw Lead	Ball Screw Lead 5mm, 10mm Standard
Ball Screw	Ground C7 Ball Screw
Robot Color	Black Anodizing
Mounting Method	Counterbore type Standard
Grease Nipple	Standard
Sensor	External Photo Sensor (Standard)
Surface Treatment	Ball Screw – Raydent (Option)



기본사양 Basic Specification

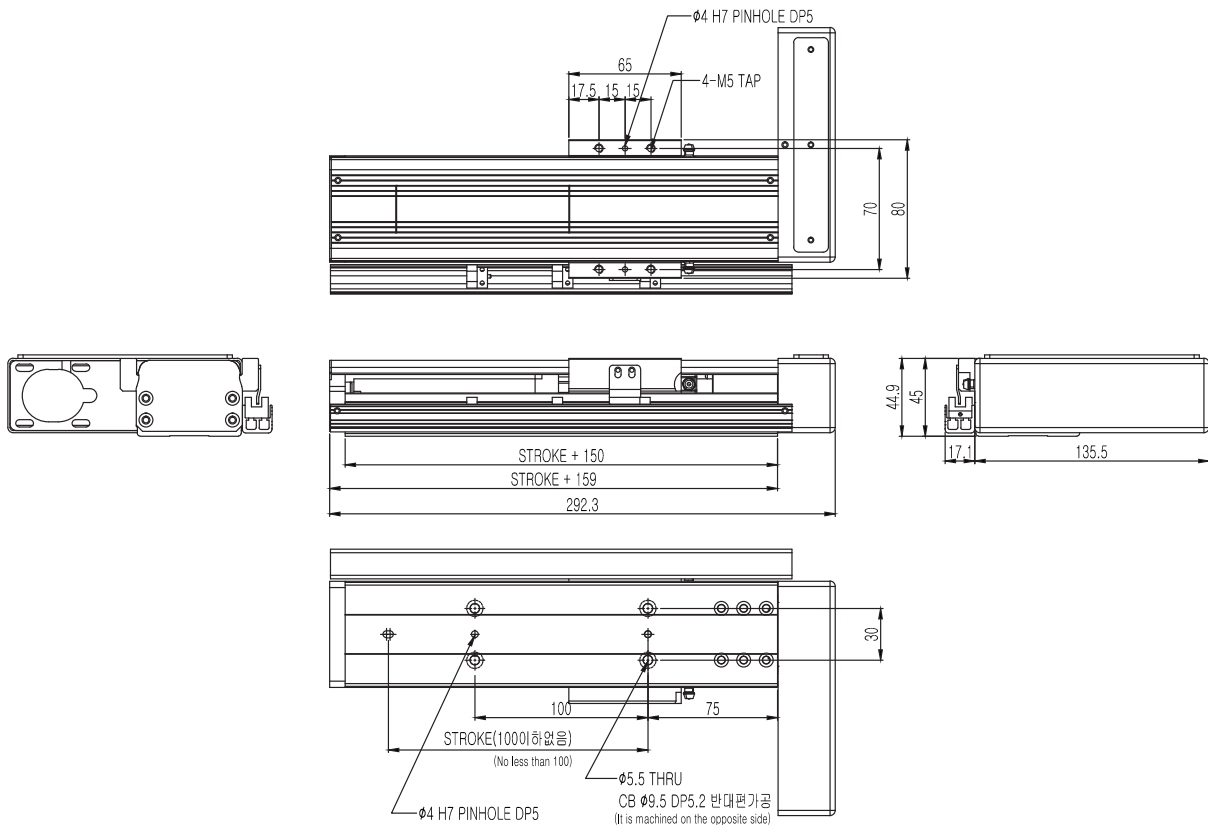
Base	Model	Stroke [mm]	Max Speed [mm/s]	Payload [kg]	Ball Screw	AC Servo Motor [W]
PHMS060	PHMS060-R(L)-L	100 ~ 700	250	20 / 10kg(Vertical)	ø12x05 (C7)	100~200W
	PHMS060-R(L)-N	100 ~ 700	500	13 / 8kg(Vertical)	ø12x10 (C7)	100~200W

스트로크별 최대속도 및 무게 Max Speed & Weight by Stroke

Stroke [mm]		100	200	300	400	500	600	700
Max Speed [mm/s]	PHMS060-R(L)-L	250	250	250	250	250	250	190
	PHMS060-R(L)-N	500	500	500	500	500	500	390
Weight [kgf] Without Motor		1,50	1,85	2,20	2,55	2,90	3,25	3,60

※ 제품의 치수, 사용조건 및 사양등은 변경될 수 있습니다.
Dimension of the product, operating conditions and specifications can be changed.

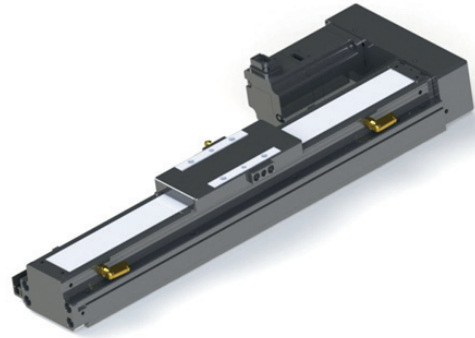
치수도 Dimension [mm]



특징 Features

Clean Type

Body Size	60mm
Repeatability [mm]	±0.02
Ball Screw Lead	Ball Screw Lead 5mm, 10mm Standard
Ball Screw	Ground C7 Ball Screw
Robot Color	Black Anodizing
Mounting Method	Counterbore type Standard
Grease Nipple	Standard
Sensor	External Photo Sensor (Standard)
Surface Treatment	Ball Screw – Raydent (Option)



기본사양 Basic Specification

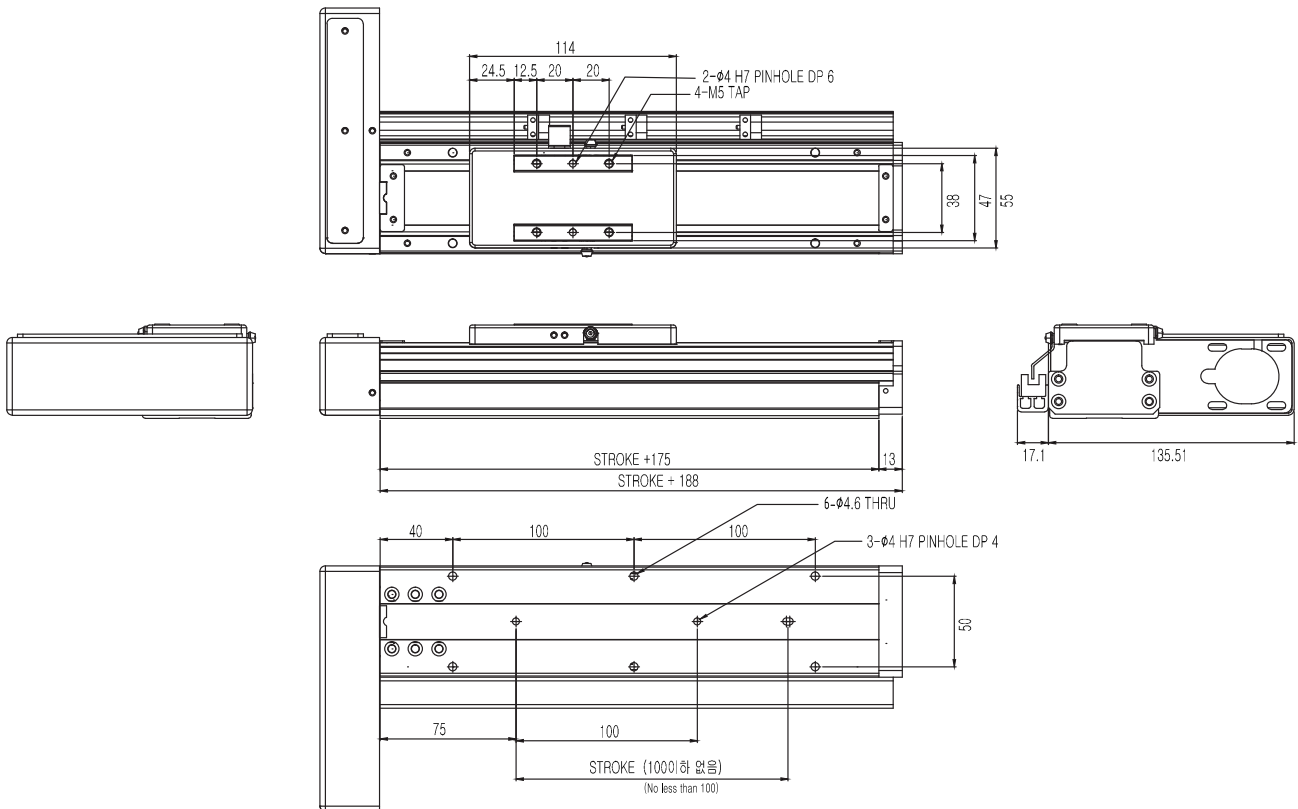
Base	Model	Stroke [mm]	Max Speed [mm/s]	Payload [kg]	Ball Screw	AC Servo Motor [W]
PHMC060	PHMC060-R(L)-L	100 ~ 700	250	20 / 10kg(Vertical)	ø12x05 (C7)	100~200W
	PHMC060-R(L)-N	100 ~ 700	500	13 / 8kg(Vertical)	ø12x10 (C7)	100~200W

스트로크별 최대속도 및 무게 Max Speed & Weight by Stroke

Stroke [mm]		100	200	300	400	500	600	700
Max Speed [mm/s]	PHMC060-R(L)-L	250	250	250	250	250	250	190
	PHMC060-R(L)-N	500	500	500	500	500	500	390
Weight [kgf] Without Motor		1,50	1,85	2,20	2,55	2,90	3,25	3,60

※ 제품의 치수, 사용조건 및 사양등은 변경될 수 있습니다.
Dimension of the product, operating conditions and specifications can be changed.

치수도 Dimension [mm]



PHMS090-S-L(N)

특징 Features

Body Size	90mm
Repeatability [mm]	±0.02
Ball Screw Lead	Ball Screw Lead 5mm, 10mm, 20mm Standard
Ball Screw	Ground C7 Ball Screw
Robot Color	Black Anodizing
Mounting Method	Counterbore type Standard
Grease Nipple	Standard
Sensor	External Photo Sensor (Standard)
Surface Treatment	Ball Screw - Raydent (Option)



기본사양 Basic Specification

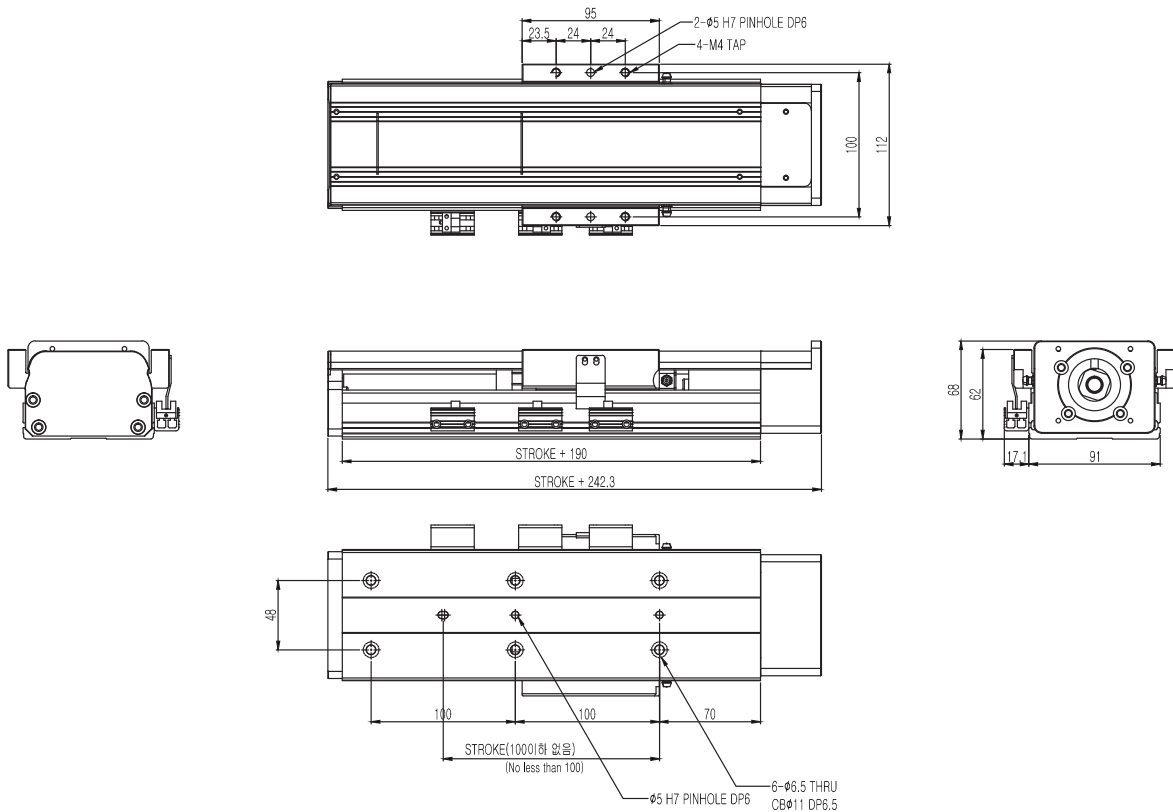
Base	Model	Stroke [mm]	Max Speed [mm/s]	Payload [kg]	Ball Screw	AC Servo Motor [W]
PHMS090	PHMS090-S-L	100 ~ 1000	500	35 / 20kg(Vertical)	ø15x10 (C7)	200~400W
	PHMS090-S-N	100 ~ 1000	1000	24 / 12kg(Vertical)	ø15x20 (C7)	200~400W

스트로크별 최대속도 및 무게 Max Speed & Weight by Stroke

Stroke [mm]		100	200	300	400	500	600	700	800	900	1000
Max Speed [mm/s]	PHMS090-S-L	500	500	500	500	500	500	480	380	300	250
	PHMS090-S-N	1000	1000	1000	1000	1000	1000	960	750	600	500
Weight [kgf] Without Motor		3,45	4,00	4,55	5,10	5,65	6,20	6,75	7,30	7,85	8,40

* 제품의 치수, 사용조건 및 사양등은 변경될 수 있습니다.
Dimension of the product, operating conditions and specifications can be changed.

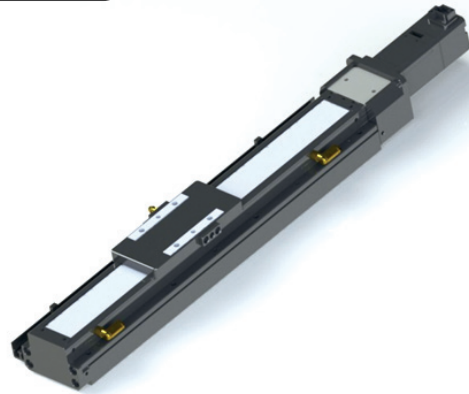
치수도 Dimension [mm]



특징 Features

Body Size	90mm
Repeatability [mm]	±0.02
Ball Screw Lead	Ball Screw Lead 5mm, 10mm, 20mm Standard
Ball Screw	Ground C7 Ball Screw
Robot Color	Black Anodizing
Mounting Method	Counterbore type Standard
Grease Nipple	Standard
Sensor	External Photo Sensor (Standard)
Surface Treatment	Ball Screw – Raydent (Option)

Clean Type



기본사양 Basic Specification

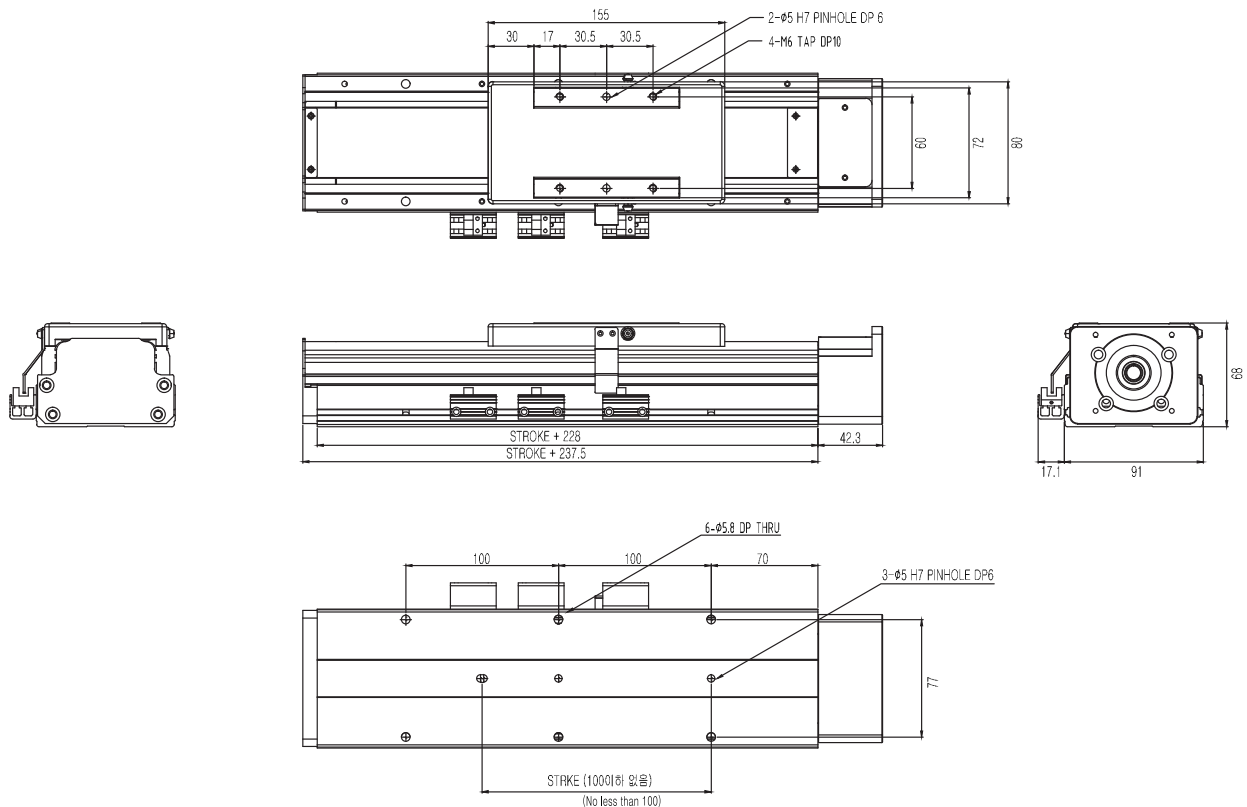
Base	Model	Stroke [mm]	Max Speed [mm/s]	Payload [kg]	Ball Screw	AC Servo Motor [W]
PHMC090	PHMC090-S-L	100 ~ 1000	500	35 / 20kg(Vertical)	ø15x10 (C7)	200~400W
	PHMC090-S-N	100 ~ 1000	1000	24 / 12kg(Vertical)	ø15x20 (C7)	200~400W

스트로크별 최대속도 및 무게 Max Speed & Weight by Stroke

Stroke [mm]		100	200	300	400	500	600	700	800	900	1000
Max Speed [mm/s]	PHMC090-S-L	500	500	500	500	500	500	480	380	300	250
	PHMC090-S-N	1000	1000	1000	1000	1000	1000	960	750	600	500
Weight [kgf] Without Motor		3.45	4.00	4.55	5.10	5.65	6.20	6.75	7.30	7.85	8.40

※ 제품의 치수, 사용조건 및 사양들은 변경될 수 있습니다.
Dimension of the product, operating conditions and specifications can be changed.

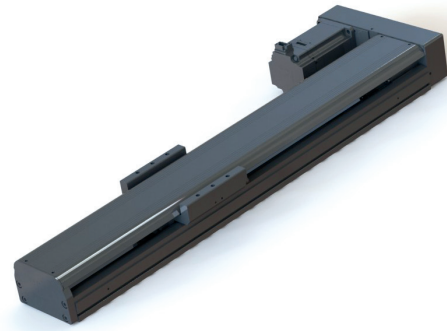
치수도 Dimension [mm]



PHMS090-R(L)-L(N)

특징 Features

Body Size	90mm
Repeatability [mm]	±0.02
Ball Screw Lead	Ball Screw Lead 5mm, 10mm, 20mm Standard
Ball Screw	Ground C7 Ball Screw
Robot Color	Black Anodizing
Mounting Method	Counterbore type Standard
Grease Nipple	Standard
Sensor	External Photo Sensor (Standard)
Surface Treatment	Ball Screw – Raydent (Option)



기본사양 Basic Specification

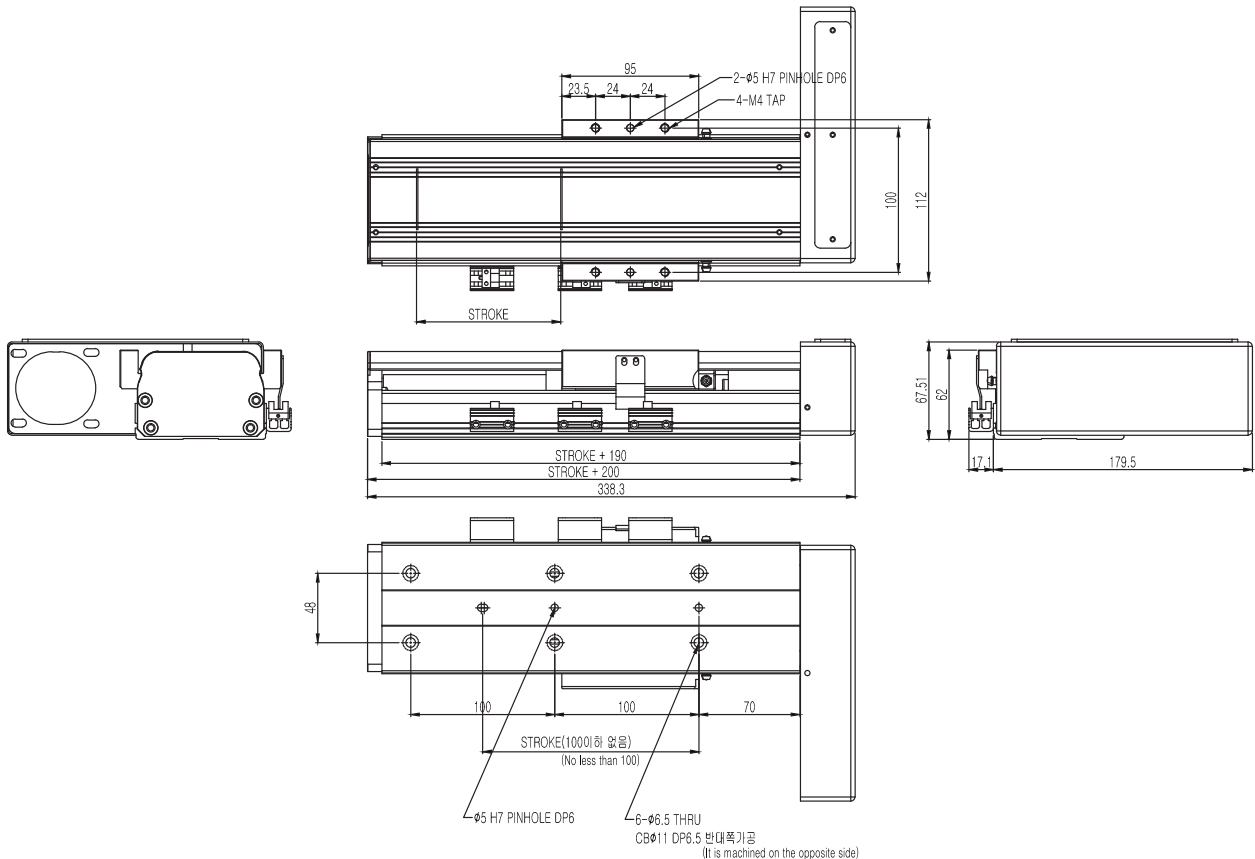
Base	Model	Stroke [mm]	Max Speed [mm/s]	Payload [kg]	Ball Screw	AC Servo Motor [W]
PHMS090	PHMS090-R(L)-L	100 ~ 1000	500	35 / 20kg(Vertical)	ø15x10 (C7)	200~400W
	PHMS090-R(L)-N	100 ~ 1000	1000	24 / 12kg(Vertical)	ø15x20 (C7)	200~400W

스트로크별 최대속도 및 무게 Max Speed & Weight by Stroke

Stroke [mm]		100	200	300	400	500	600	700	800	900	1000
Max Speed [mm/s]	PHMS090-R(L)-L	500	500	500	500	500	500	480	380	300	250
	PHMS090-R(L)-N	1000	1000	1000	1000	1000	1000	960	750	600	500
Weight [kgf] Without Motor		3.45	4.00	4.55	5.10	5.65	6.20	6.75	7.30	7.85	8.40

※ 제품의 치수, 사용조건 및 사양등은 변경될 수 있습니다.
Dimension of the product, operating conditions and specifications can be changed.

치수도 Dimension [mm]



특징 Features

Body Size	90mm
Repeatability [mm]	±0,02
Ball Screw Lead	Ball Screw Lead 5mm, 10mm, 20mm Standard
Ball Screw	Ground C7 Ball Screw
Robot Color	Black Anodizing
Mounting Method	Counterbore type Standard
Grease Nipple	Standard
Sensor	External Photo Sensor (Standard)
Surface Treatment	Ball Screw – Raydent (Option)

Clean Type



기본사양 Basic Specification

Base	Model	Stroke [mm]	Max Speed [mm/s]	Payload [kg]	Ball Screw	AC Servo Motor [W]
PHMC090	PHMC090-R(L)-L	100 ~ 1000	500	35 / 20kg(Vertical)	ø15x10 (C7)	200~400W
	PHMC090-R(L)-N	100 ~ 1000	1000	24 / 12kg(Vertical)	ø15x20 (C7)	200~400W

스트로크별 최대속도 및 무게 Max Speed & Weight by Stroke

Stroke [mm]		100	200	300	400	500	600	700	800	900	1000
Max Speed [mm/s]	PHMC090-R(L)-L	500	500	500	500	500	500	480	380	300	250
	PHMC090-R(L)-N	1000	1000	1000	1000	1000	1000	960	750	600	500
Weight [kgf] Without Motor		3,45	4,00	4,55	5,10	5,65	6,20	6,75	7,30	7,85	8,40

※ 제품의 치수, 사용조건 및 사양등은 변경될 수 있습니다.
Dimension of the product, operating conditions and specifications can be changed.

치수도 Dimension [mm]

